

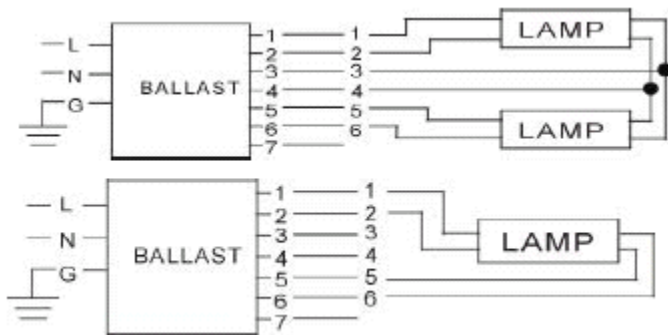
# SLI LIGHTING

122 East Laurel Street  
Mullins, South Carolina 29574  
Ph: 800-922-6693  
www.havells-sli.com

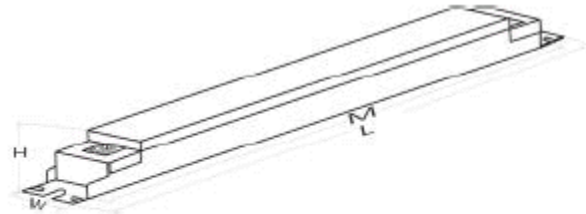
E2-54-P-UV-H @ 120V	
Ordering Code: 61334	
Ballast Type	Electronic
Starting Method	Program Start
Lamp Connection	Series
Input Voltage	120V
Input Frequency	60 Hz
Status	Active
Safety Approval	UL/CUL

Lamp Type	No. of Lamps	Rated Lamp Watts	Min Start Temp (°F/C)	Input Current (Amps)	Input Power (ANSI Watts)	Ballast Factor	MAX THD %	Power Factor	Max Lamp Current Crest Factor	BEF
54W T5	54	2	-22/-30	0.97	116	0.99	10	0.99	1.7	0.85
54W T5	54	1	-22/-30	0.5	60	0.98	10	0.99	1.7	1.63
PLL55W	55	2	-22/-30	0.89	107	0.88	10	0.99	1.7	0.82
PLL55W	55	1	-22/-30	0.46	56	0.9	10	0.99	1.7	1.61
39W T5	39	2	-22/-30	0.76	92	0.98	10	0.99	1.7	1.07
PLL 50W	50	2	-22/-30	0.93	112	1.04	10	0.99	1.7	0.93
PLL 50W	50	1	-22/-30	0.48	58	1.06	10	0.99	1.7	1.83

### Wiring Diagram



### Enclosure



Overall (L)	Width (W)	Height (H)	Mounting (M)
32.5 cm	3.4 cm	2.9 cm	31.7 cm
12.8"	1.34"	1.14"	12.5"



Data is based upon tests performed by SLI Lighting in a controlled environment and representative performance. Actual performance can vary depending on operating conditions. Specifications are subject to change without notice. All specifications are nominal unless otherwise noted.