

Havells SLI offices in the Region

Costa Rica
Havells Sylvania Costa Rica S.A.
T +506 2210 7728
F +506 2232 8718
sales.cr@havells-sylvania.com

Caribe/Honduras/Nicaragua
Havells Sylvania Costa Rica S.A.
T +506 2210 7678
F +506 2232 8723
info.cr@havells-sylvania.com

Panamá
Havells Sylvania Panamá S.A.
T +507 236 1000
F +507 236 1315
info.pa@havells-sylvania.com

Guatemala
Havells Sylvania Guatemala S.A.
T +502 2387 5300
F +502 2387 5301
info.gt@havells-sylvania.com

El Salvador
Havells Sylvania El Salvador S.A. de C.V.
T +503 2239 2239
F +503 2284 9670
info.sv@havells-sylvania.com

República Dominicana
Havells Sylvania Dominicana S.A.
T + 809 381 0200
F + 809 381 0703
info.do@havells-sylvania.com

Colombia
Havells Sylvania Colombia S.A.
T +(571) 7825200
F +(571) 7199621
info.co@havells-sylvania.com

Argentina
Havells Sylvania Argentina S.A.
T +54 11 4515 0215
F +54 11 4515 0215
info.ar@havells-sylvania.com

Brasil
**Havells Sylvania Brasil
Iluminação Ltda**
T +55 11 3133 2410
F +55 11 5521 3660
info.br@havells-sylvania.com

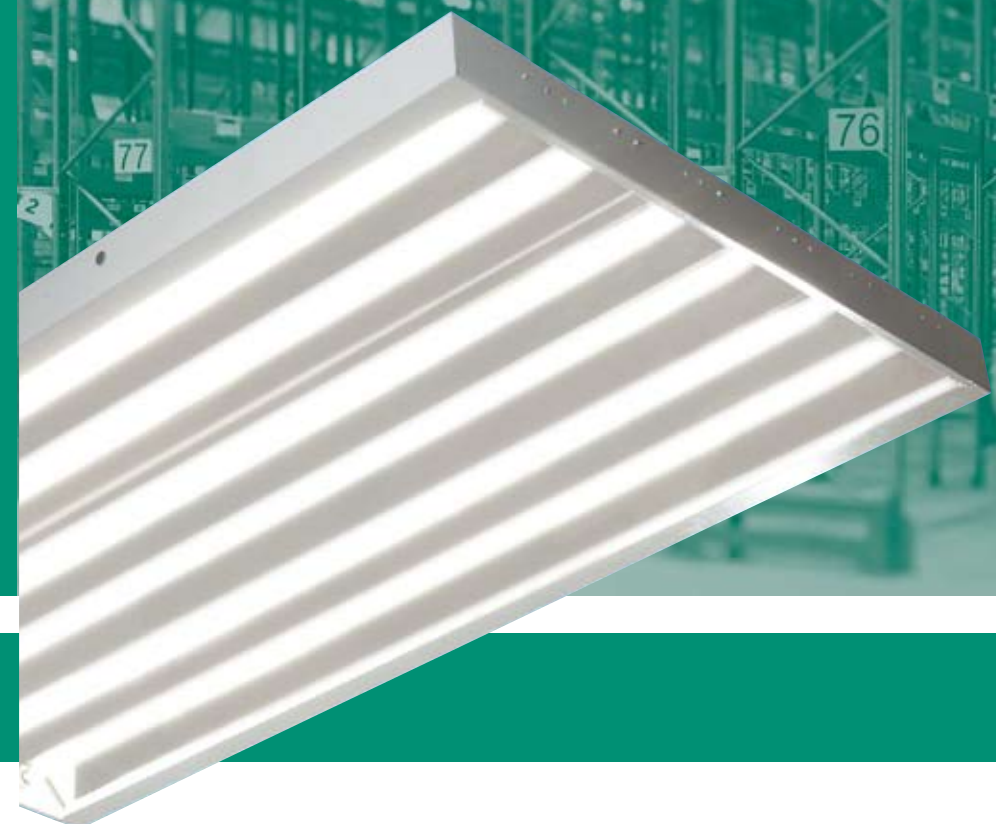
México
Havells SLI México S.A. de CV
T +(52 55) 53 87 76 70
F +(52 55) 53 87 76 71
info.mx@havells-sli.com

USA/Canada
Havells SLI Lighting Products Inc.
T +843 464 0554
F +843 464 2898
info.us@havells-sli.com

Printed in USA. Cat808 08/ 2008

ceenit

High Bay
fluorescent
fixture





SLI LIGHTING



Cenit Fluorescent High Bay

Description

The Cenit line is a range of compact industrial High Bay fixtures designed to offer outstanding light output by taking advantage of the highly efficient technology.

Features

- Anticorrosive treated steel housing, finished with electrostatic powder paint (painted after fabrication)
- Anodized aluminum reflector designed specifically for each available lamp configuration.
- T5 HO technology delivers high color rendering indexes, several choices of color temperatures and instant or programmed start possibilities.
- The photometric information of every CENIT model is available thru our customer support offices.

Applications

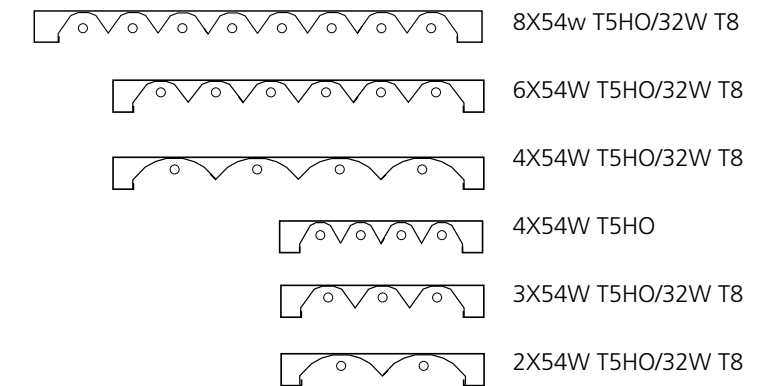
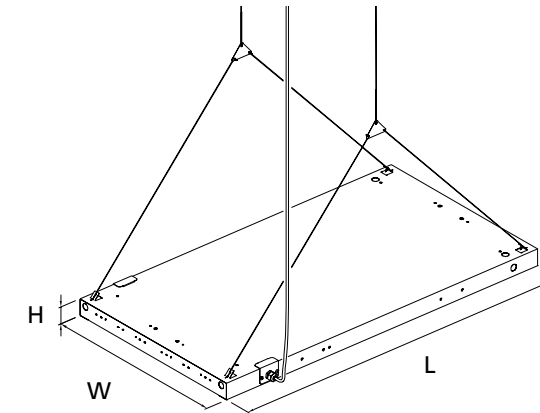
Warehouses, indoor sport facilities, industrial manufacturing facilities and commercial applications where high efficiency is necessary. Suspended installation is recommended around 196.85" height.

Options/Accessories

- 24" cable mounting set
- Clear lens w/frame
- Prismatic lens w/frame
- Wireguard
- 6' cable
- Occupancy sensor
- Emergency ballast

Technical specs	8x54 T5 HO (2X4)	6X54W TS HO (2X4)	4X54W TS HO (2X4)	4X54W TS HO (1X4)	3X54W TS HO (1X4)	2x54 T5 HO (1x4)
Energy Consumption	480W	310W	197W	197W	160W	120W
Power factor	100	100	100	100	100	100
Harmonics	10% THD	6,6% THD	3,2% THD	3,2% THD	3.6% THD	3,4 % THD
Electronic Ballast	2	2	1	1	1	1
Light output (lm)	40.000	30.000	20.000	20.000	15.000	10.000
Polar diagram						

Data can be changed according to the ballast



Catalog No.	Number of lamps	Dimensions (in)			Lamp type
24CENIT-854U-EB5	8	H:2.4	W: 32.7	L: 46.3	T5HO
24CENIT-832U-EB8	8	H:2.4	W: 32.7	L: 48.4	T8
24CENIT-654U-EB5	6	H:2.4	W: 25.1	L: 46.3	T5HO
24CENIT-632U-EB8	6	H:2.4	W: 25.1	L: 48.4	T8
24CENIT-454U-EB5	4	H:2.4	W: 25.1	L: 46.3	T5HO
24CENIT-432U-EB8	4	H:2.4	W: 25.1	L: 48.4	T8
14CENIT-454U-EB5	4	H:2.4	W: 14	L: 46.3	T5HO
14CENIT-354U-EB5	3	H:2.4	W: 14	L: 46.3	T5HO
14CENIT-332U-EB8	3	H:2.4	W: 14	L: 48.4	T8
14CENIT-254U-EB5	2	H:2.4	W: 14	L: 46.3	T5HO
14CENIT-232U-EB8	2	H:2.4	W: 14	L: 48.4	T8

H= Height W= Width L= Length

